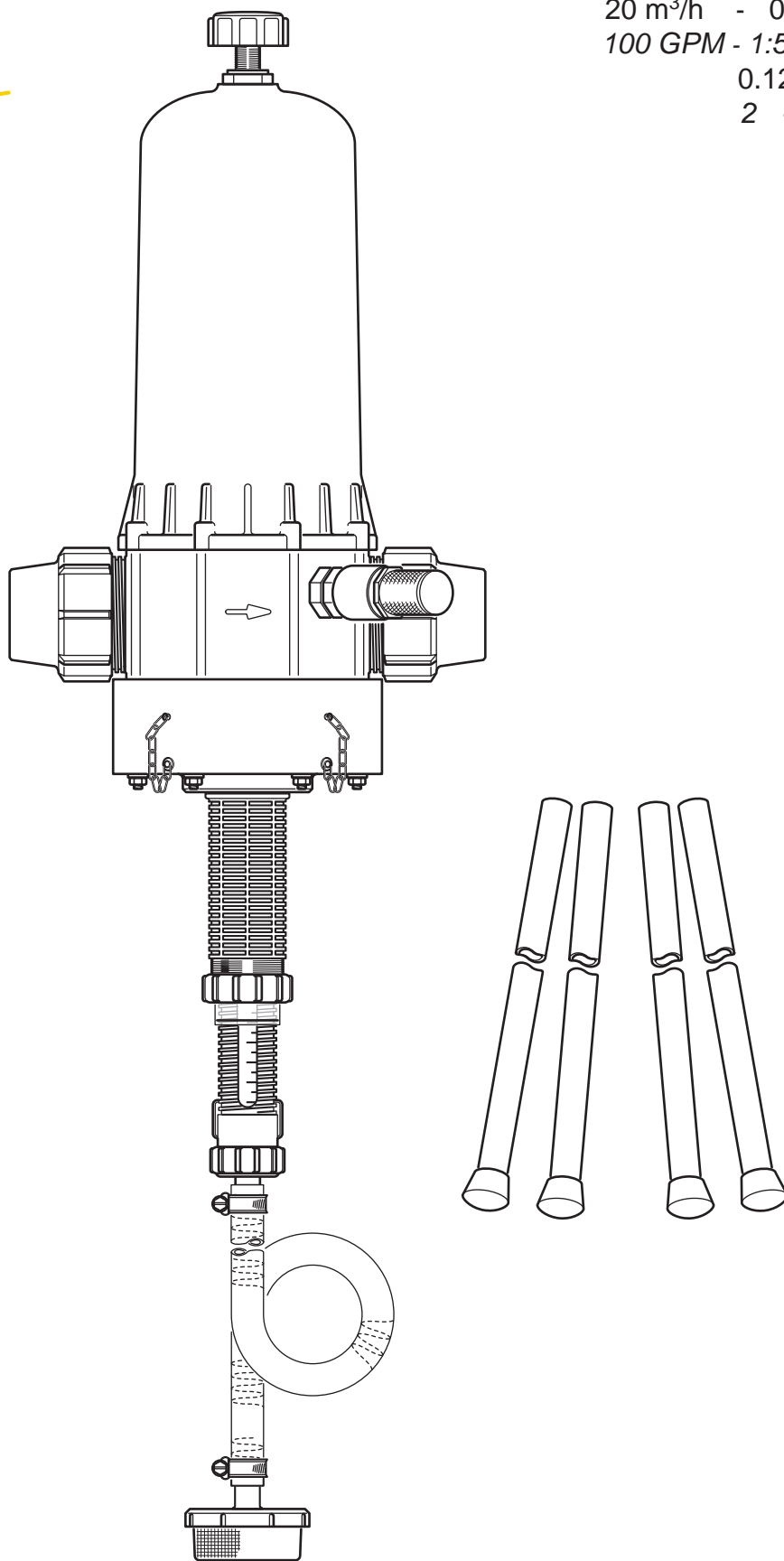


D20S

**ANDO**  
TECHNIK

Tel.: 040/8224565-0  
www.ando-technik.com

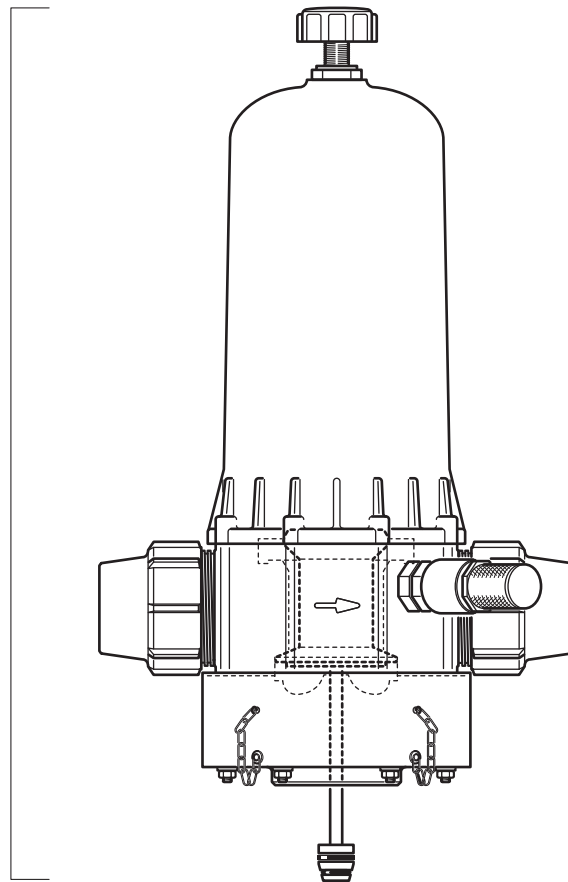
20 m<sup>3</sup>/h - 0.2 - 2%  
100 GPM - 1:500 - 1:50  
0.12 - 10 bar  
2 - 120 psi



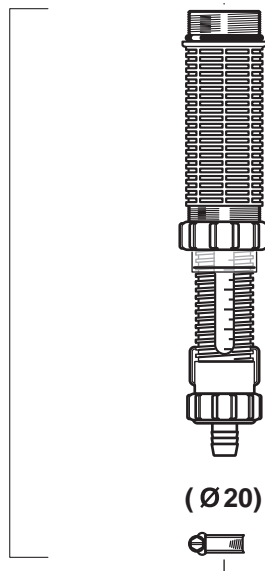
# D20S

20 m<sup>3</sup>/h - 0.2 - 2%  
100 GPM - 1:500 - 1:50  
0.12 - 10 bar  
2 - 120 psi

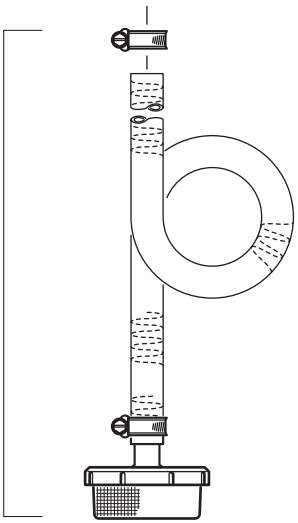
C+M



D

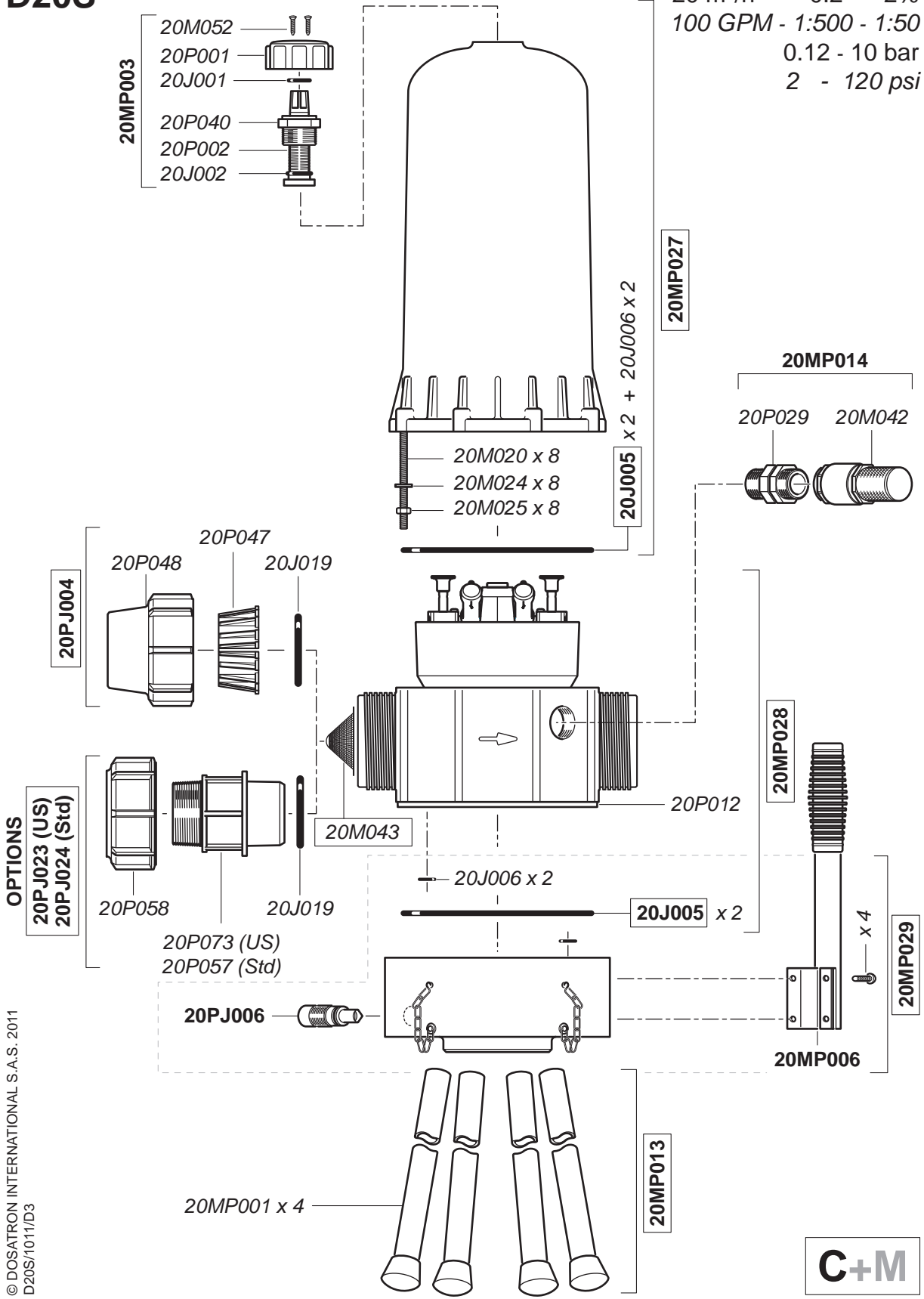


A



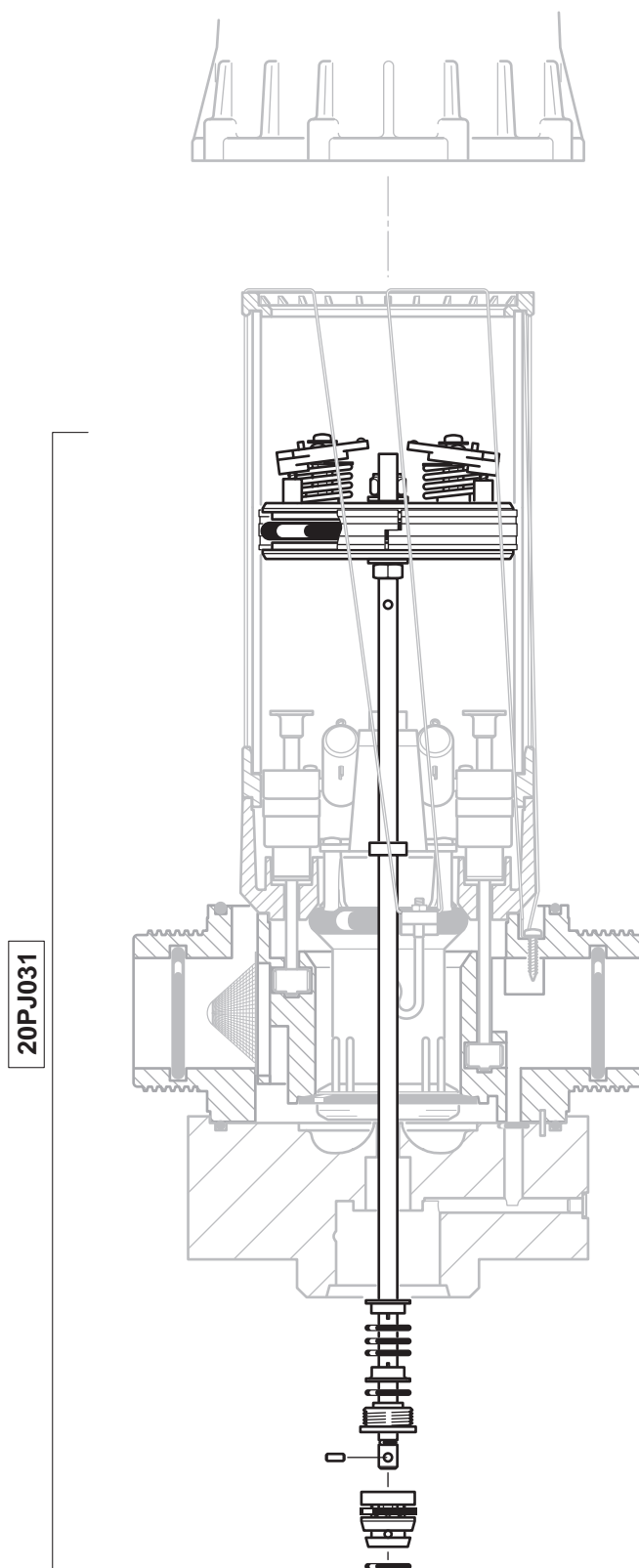
# D20S

20 m<sup>3</sup>/h - 0.2 - 2%  
 100 GPM - 1:500 - 1:50  
 0.12 - 10 bar  
 2 - 120 psi



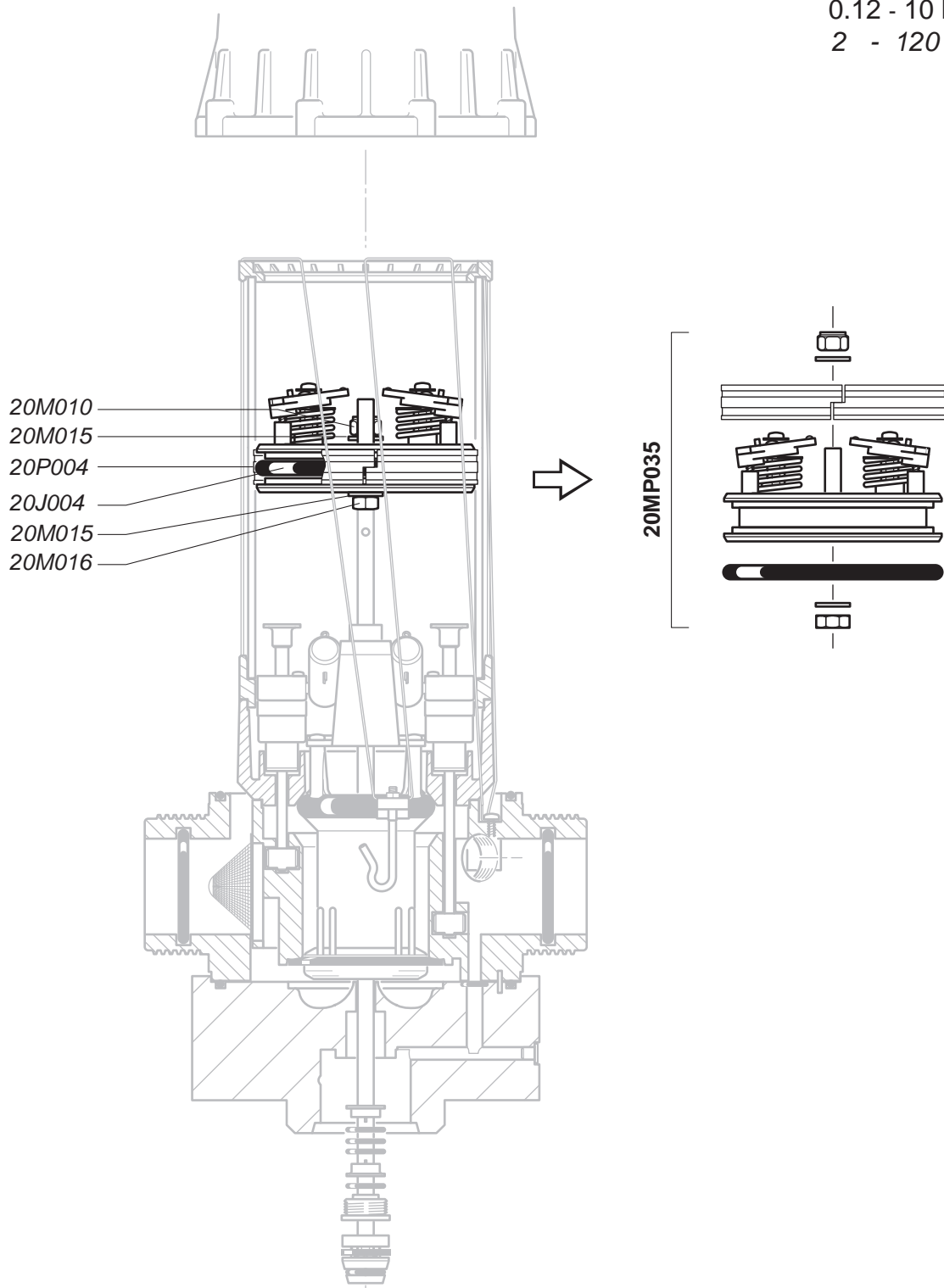
# D20S

20 m<sup>3</sup>/h - 0.2 - 2%  
100 GPM - 1:500 - 1:50  
0.12 - 10 bar  
2 - 120 psi



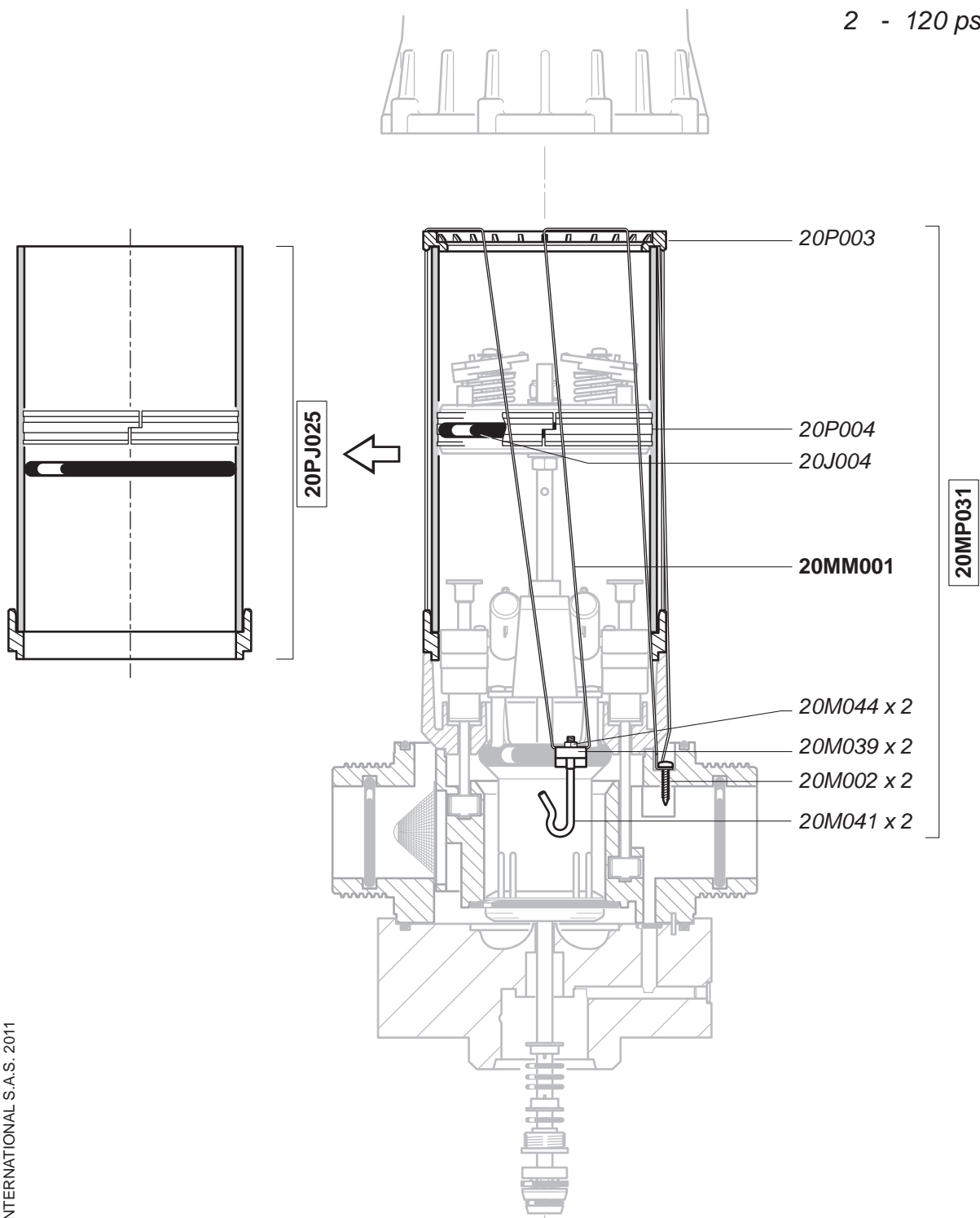
# D20S

20 m<sup>3</sup>/h - 0.2 - 2%  
100 GPM - 1:500 - 1:50  
0.12 - 10 bar  
2 - 120 psi



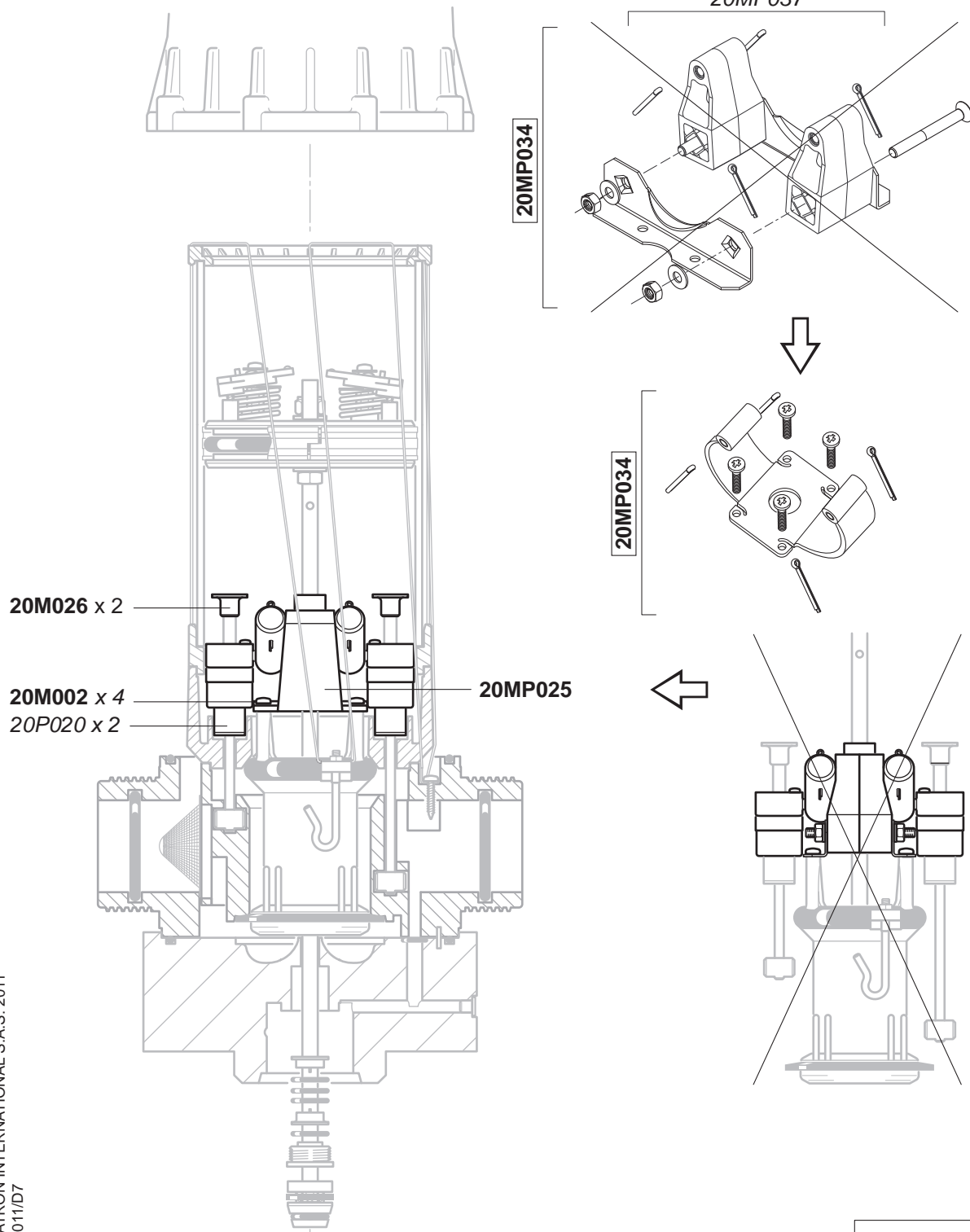
# D20S

20 m<sup>3</sup>/h - 0.2 - 2%  
100 GPM - 1:500 - 1:50  
0.12 - 10 bar  
2 - 120 psi



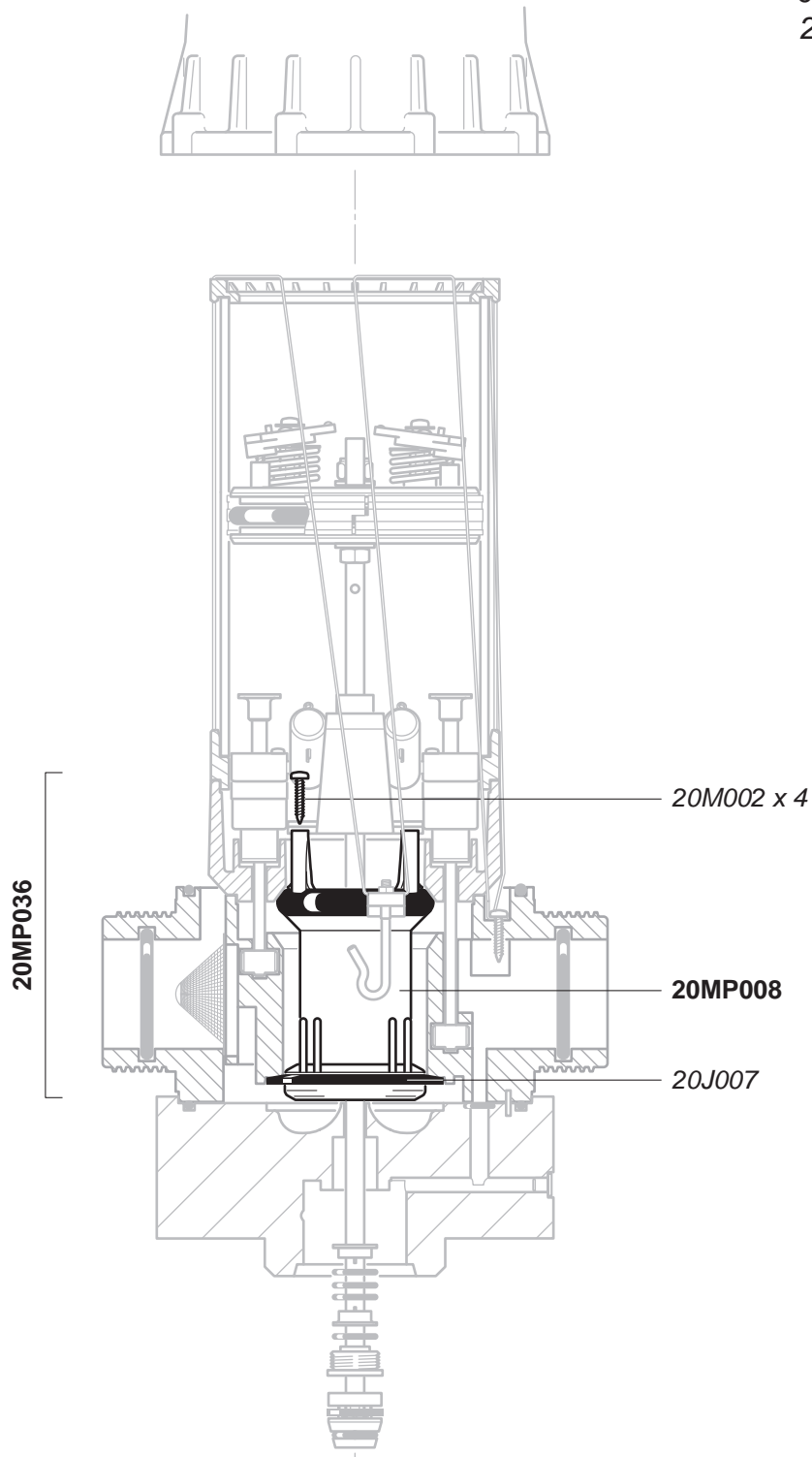
# D20S

20 m<sup>3</sup>/h - 0.2 - 2%  
 100 GPM - 1:500 - 1:50  
 0.12 - 10 bar  
 2 - 120 psi



# D20S

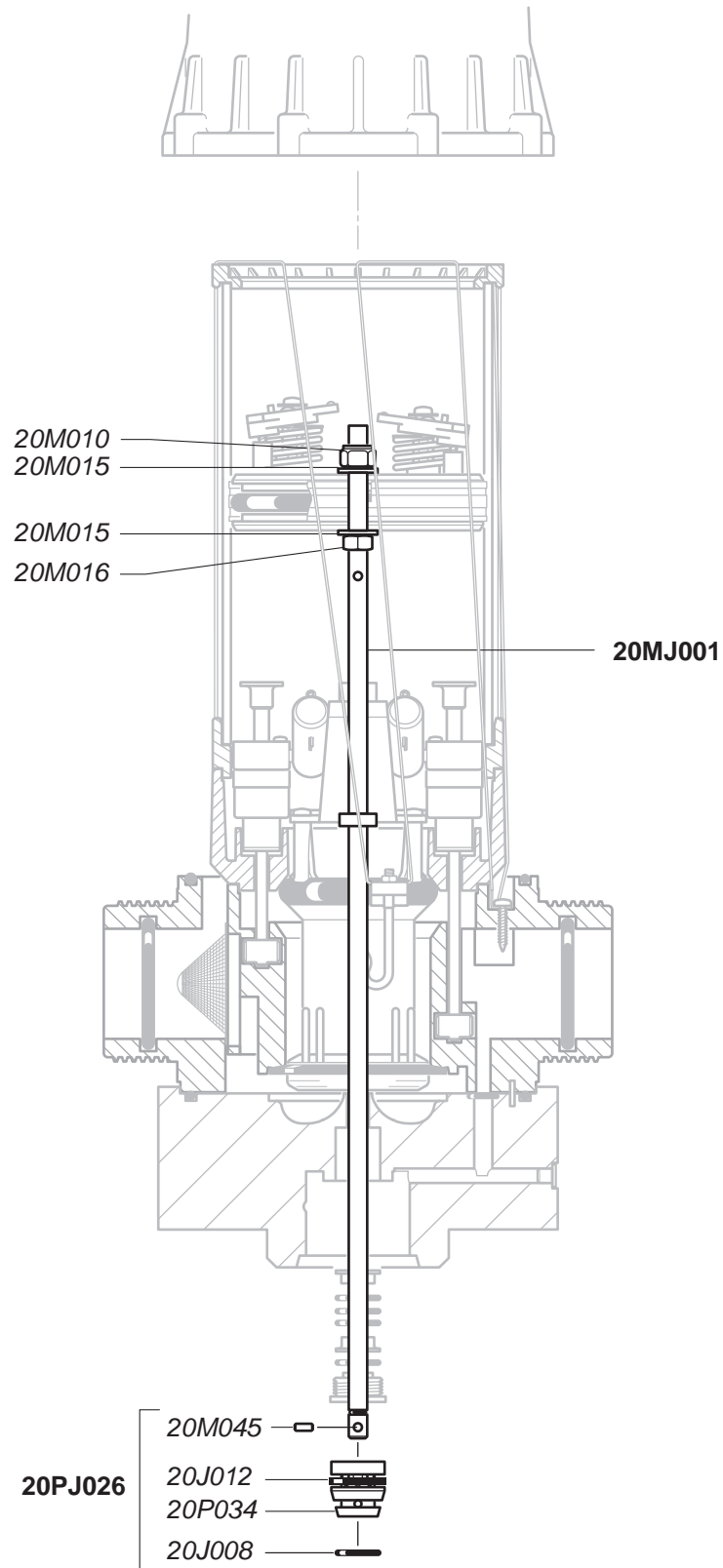
20 m<sup>3</sup>/h - 0.2 - 2%  
100 GPM - 1:500 - 1:50  
0.12 - 10 bar  
2 - 120 psi





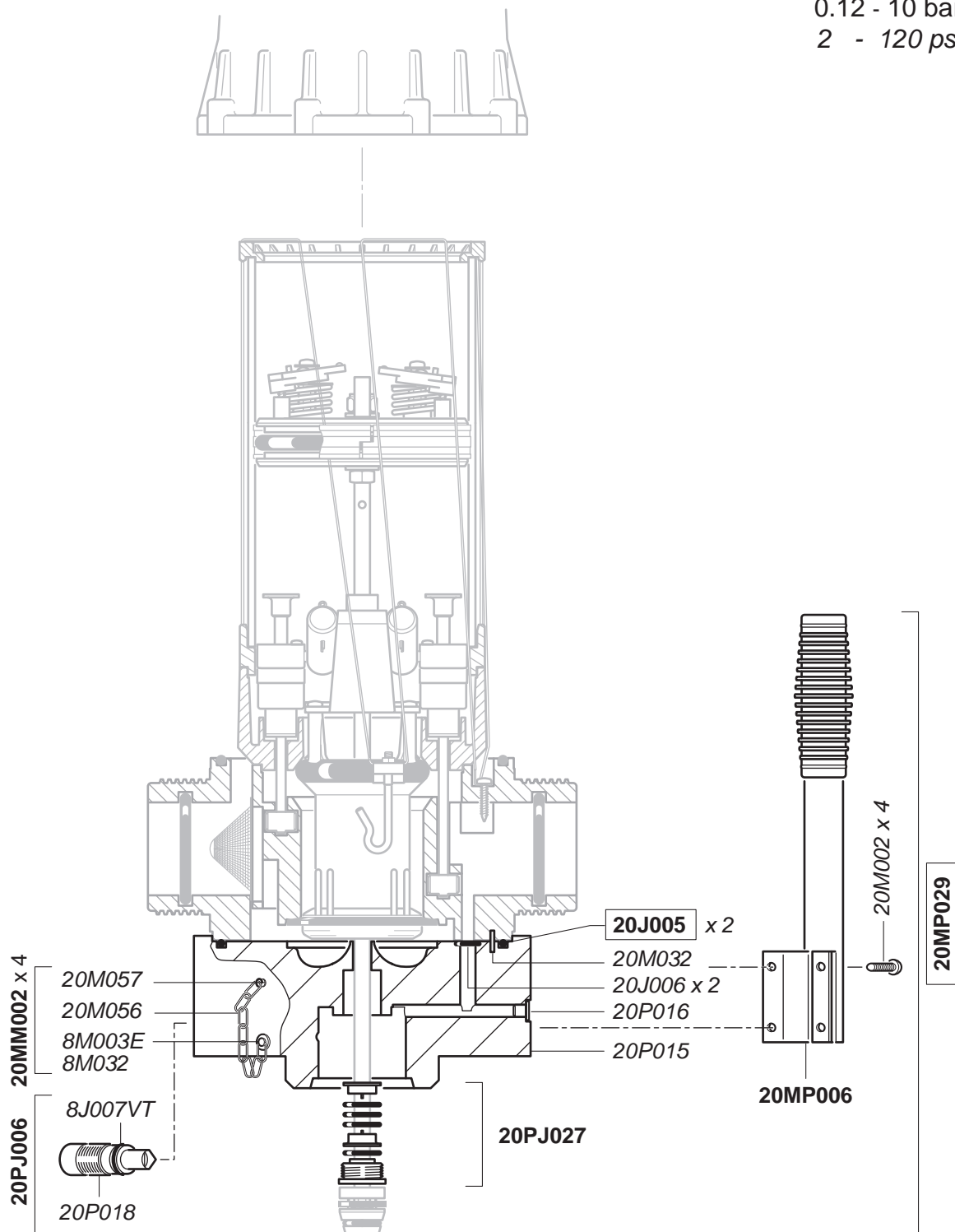
# D20S

20 m<sup>3</sup>/h - 0.2 - 2%  
100 GPM - 1:500 - 1:50  
0.12 - 10 bar  
2 - 120 psi



# D20S

20 m<sup>3</sup>/h - 0.2 - 2%  
 100 GPM - 1:500 - 1:50  
 0.12 - 10 bar  
 2 - 120 psi

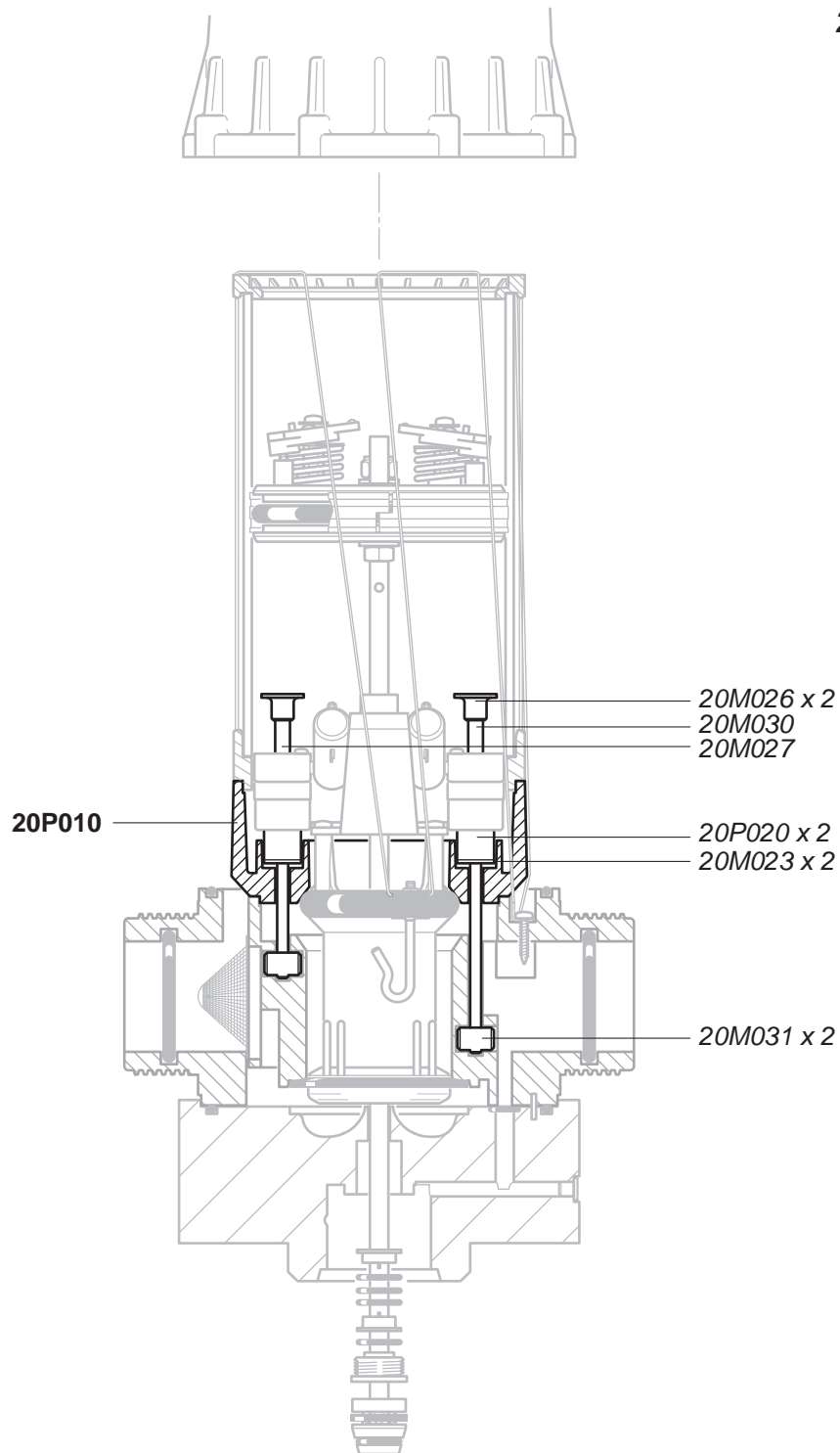


© DOSATRON INTERNATIONAL S.A.S. 2011  
 D20S/1011/D10



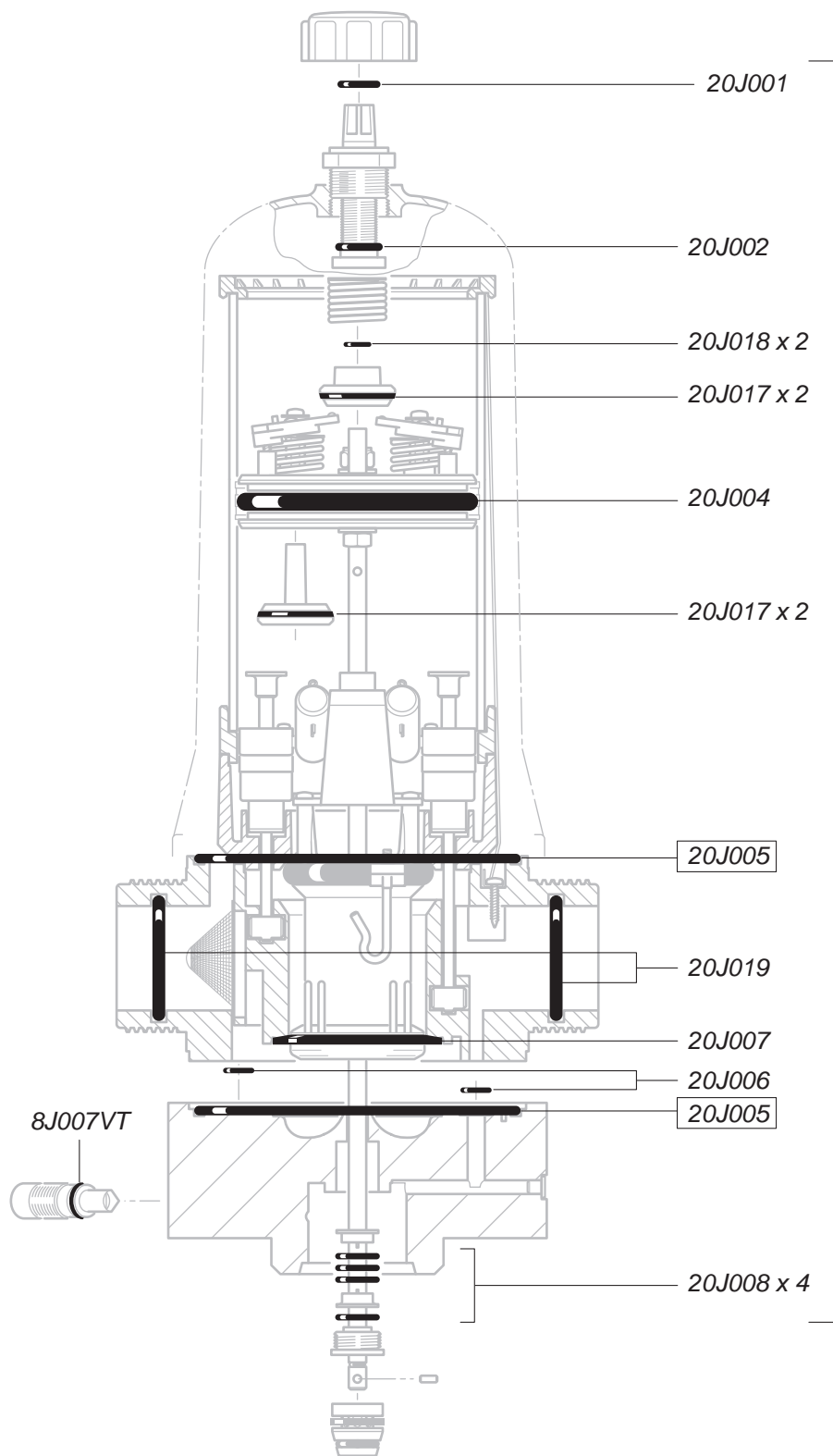
# D20S

20 m<sup>3</sup>/h - 0.2 - 2%  
100 GPM - 1:500 - 1:50  
0.12 - 10 bar  
2 - 120 psi



# D20S

20 m<sup>3</sup>/h - 0.2 - 2%  
 100 GPM - 1:500 - 1:50  
 0.12 - 10 bar  
 2 - 120 psi

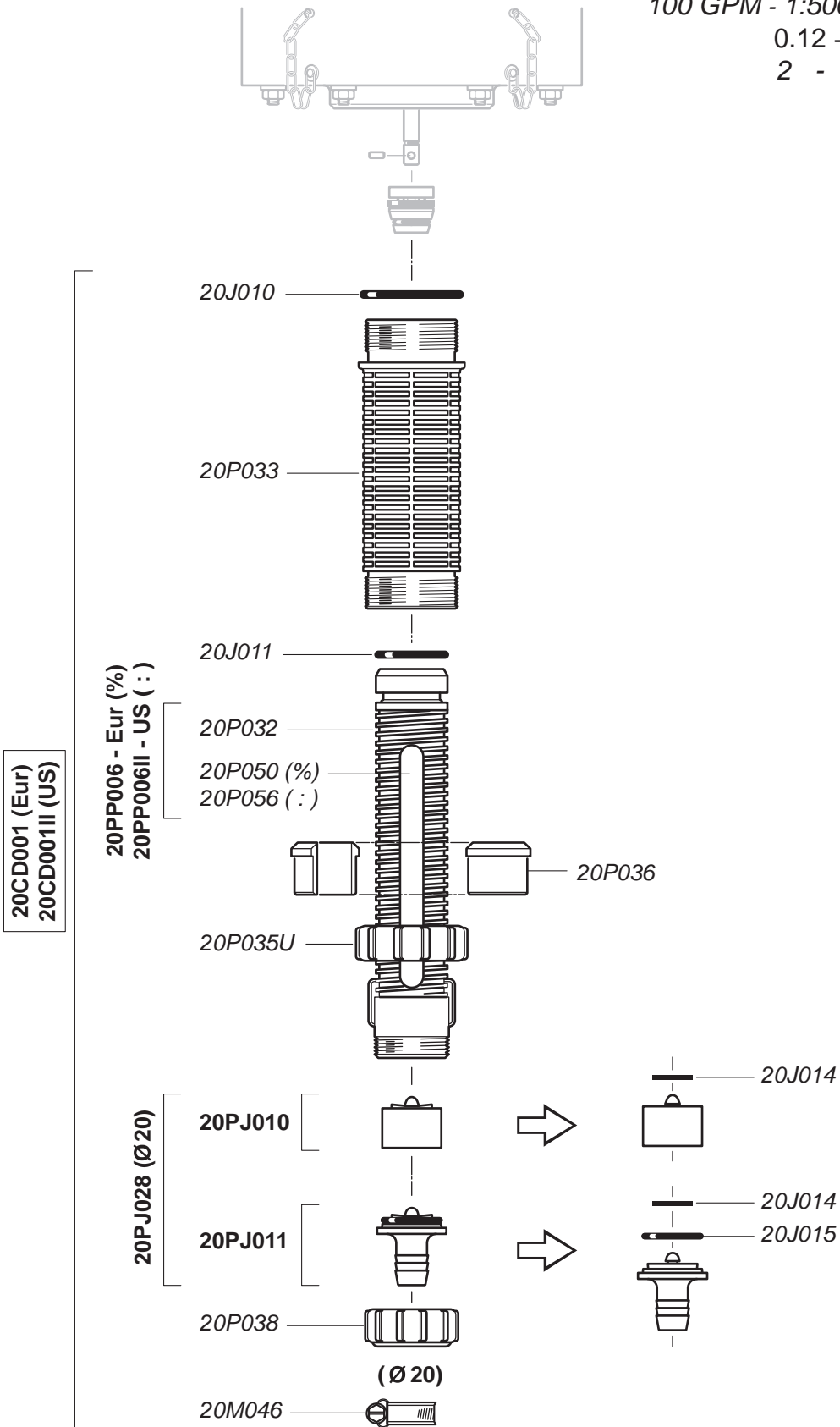


© DOSATRON INTERNATIONAL S.A.S. 2011  
 D20S/1011/D12

**C+M**

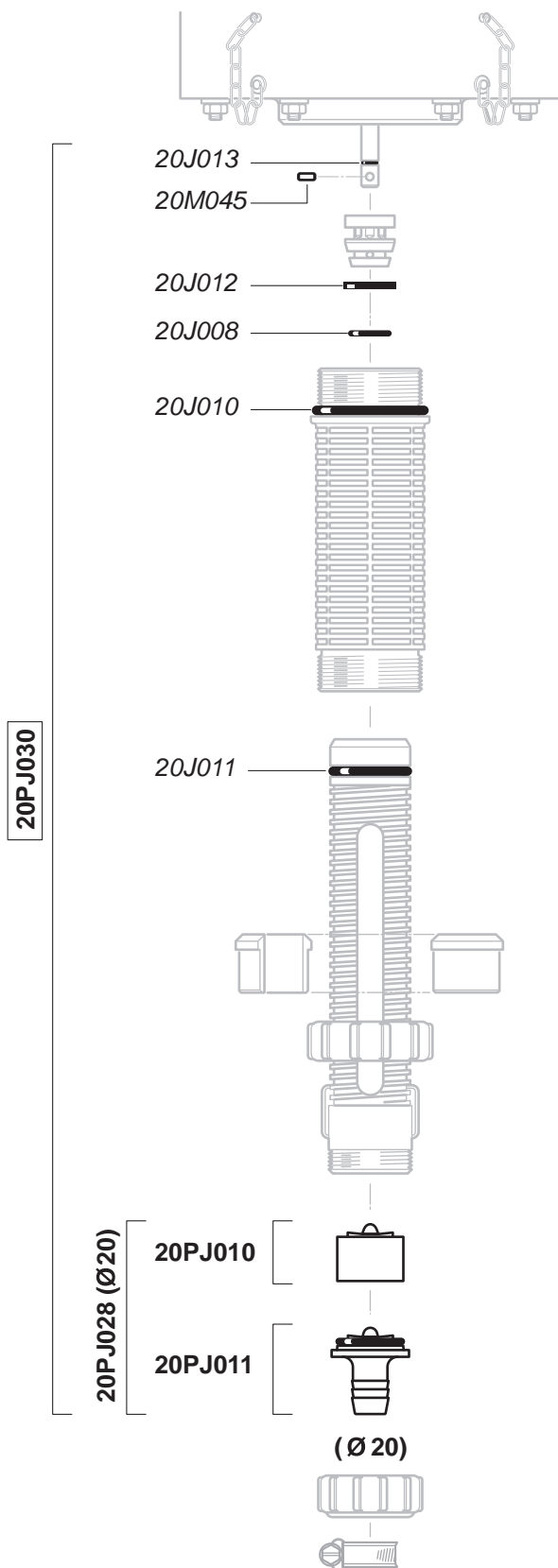
# D20S

20 m<sup>3</sup>/h - 0.2 - 2%  
 100 GPM - 1:500 - 1:50  
 0.12 - 10 bar  
 2 - 120 psi



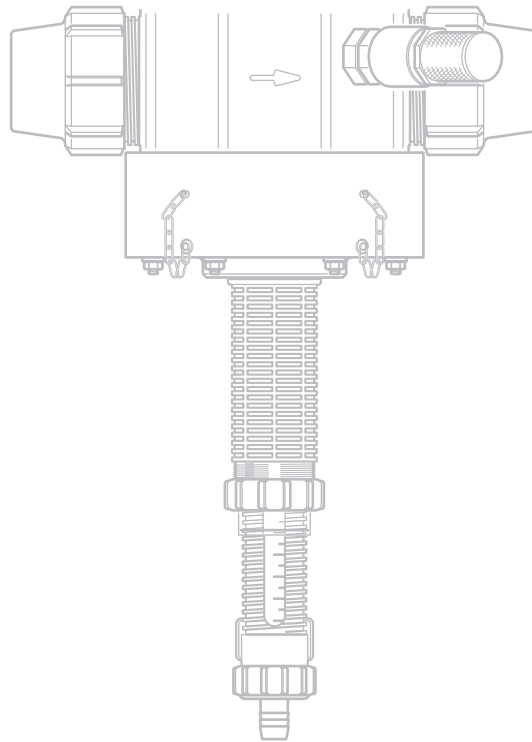
# D20S

20 m<sup>3</sup>/h - 0.2 - 2%  
100 GPM - 1:500 - 1:50  
0.12 - 10 bar  
2 - 120 psi



# D20S

20 m<sup>3</sup>/h - 0.2 - 2%  
100 GPM - 1:500 - 1:50  
0.12 - 10 bar  
2 - 120 psi



(Ø 20)

