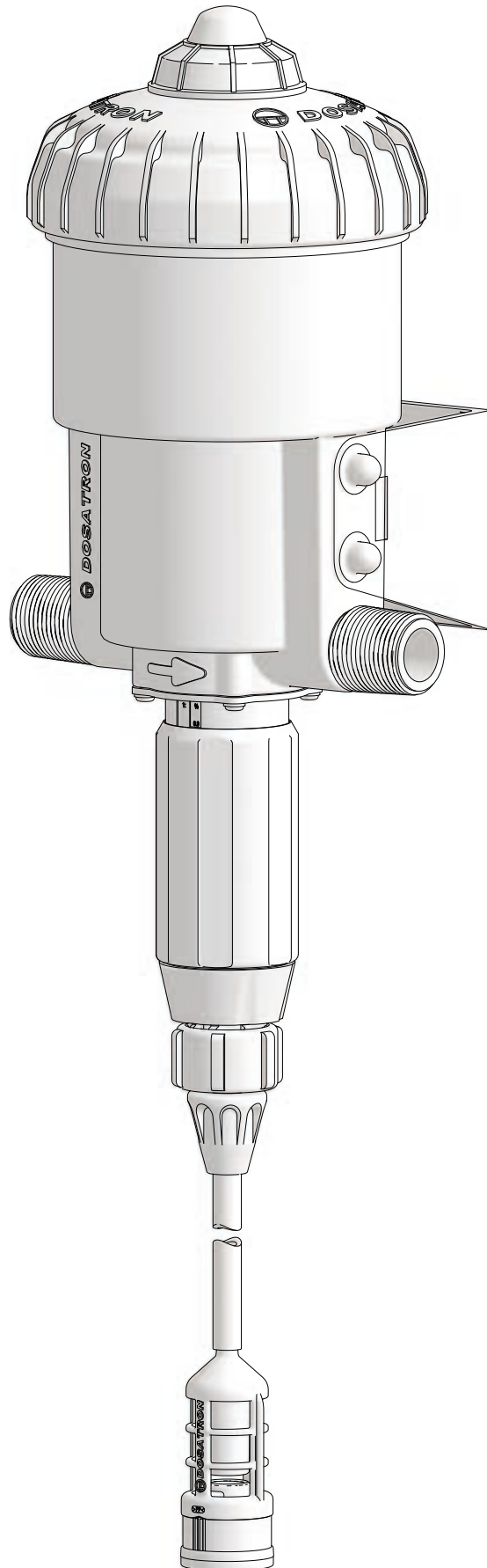


# D25 0.1 - 0.9%



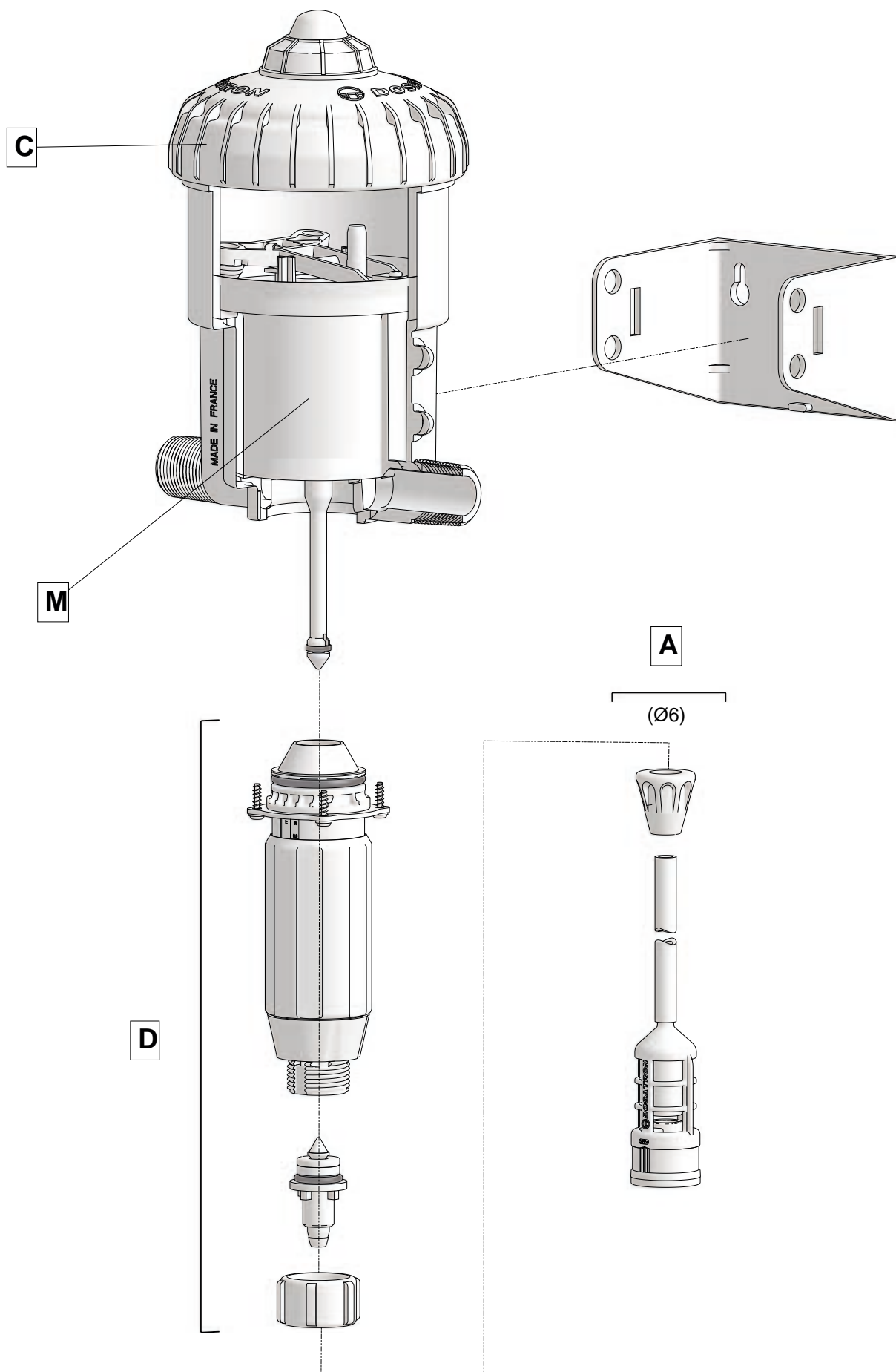
Tel.: 040/8224565-0  
www.ando-technik.com

2.5m<sup>3</sup>/h - 0.1 - 0.9%  
11 GPM - 1:1000 - 1:111  
0.3 - 6 bar  
4.3 - 85 psi



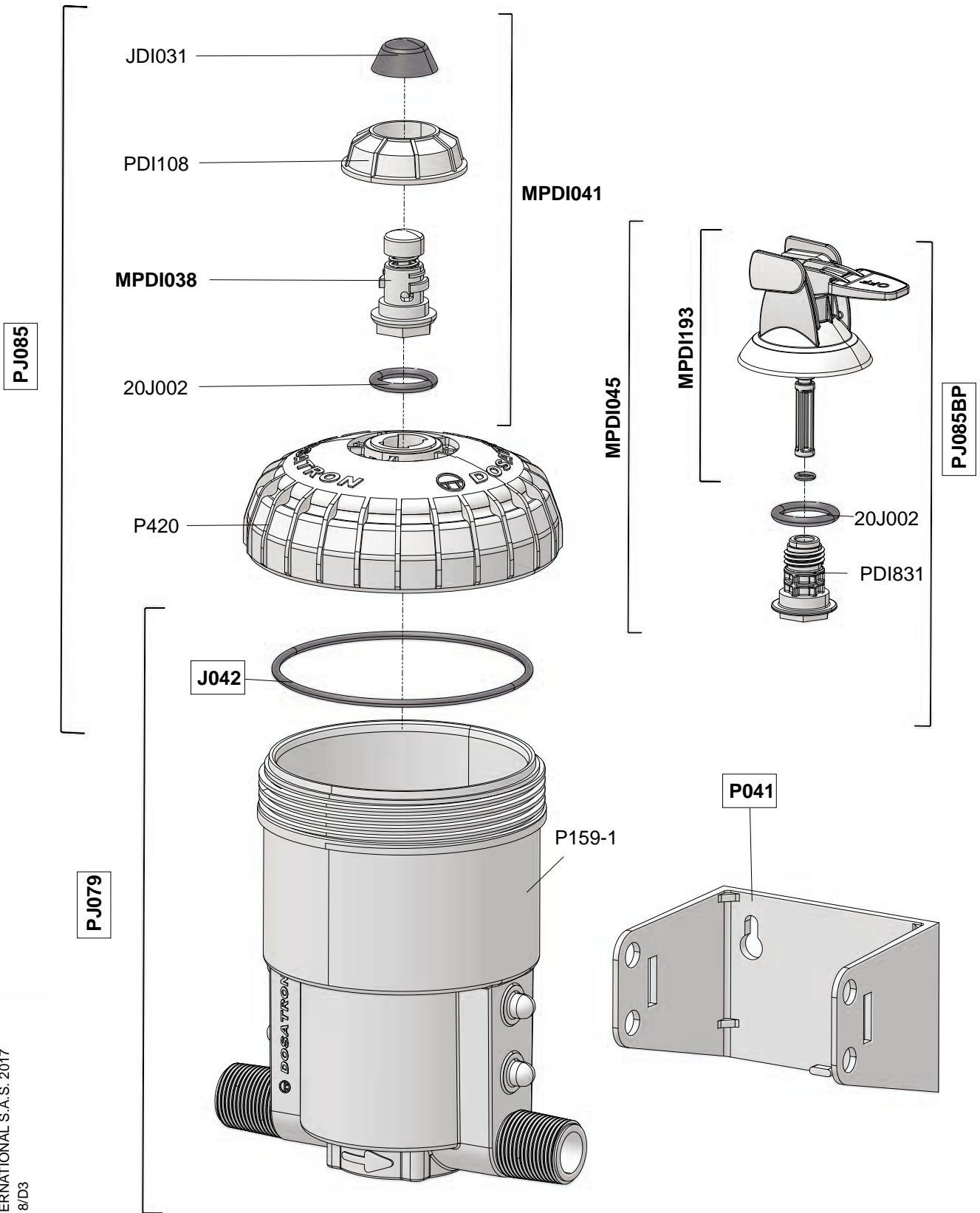
# D25 0.1 - 0.9%

2.5m<sup>3</sup>/h - 0.1 - 0.9%  
11 GPM - 1:1000 - 1:111  
0.3 - 6 bar  
4.3 - 85 psi



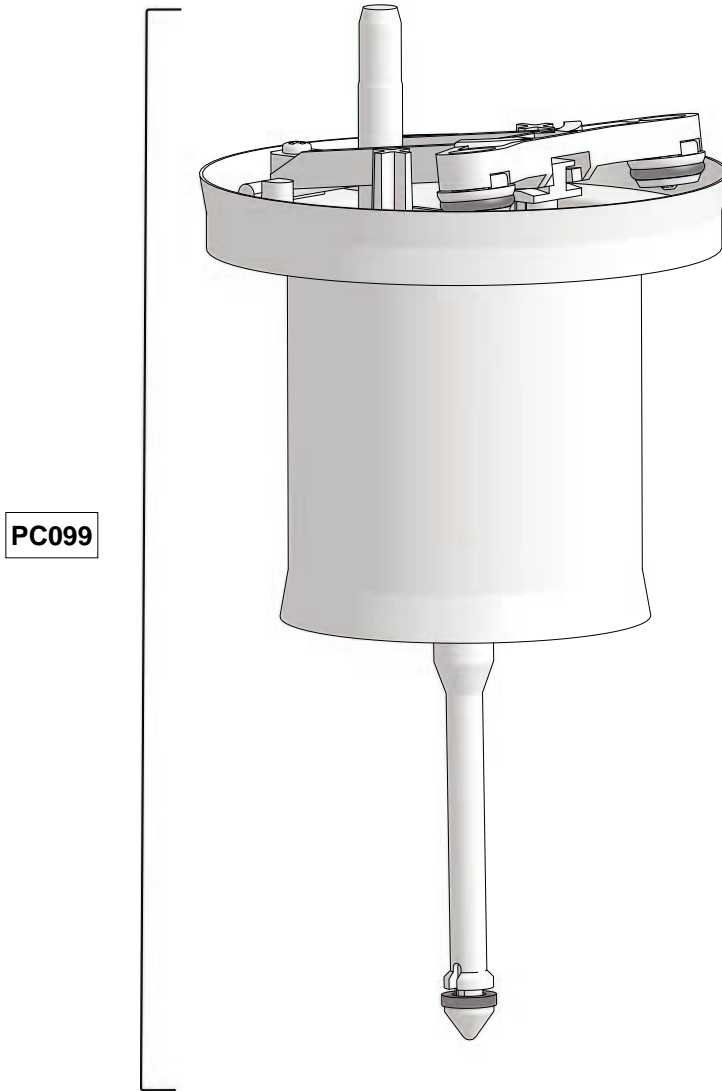
# D25 0.1 - 0.9%

2.5m<sup>3</sup>/h - 0.1 - 0.9%  
11 GPM - 1:1000 - 1:111  
0.3 - 6 bar  
4.3 - 85 psi



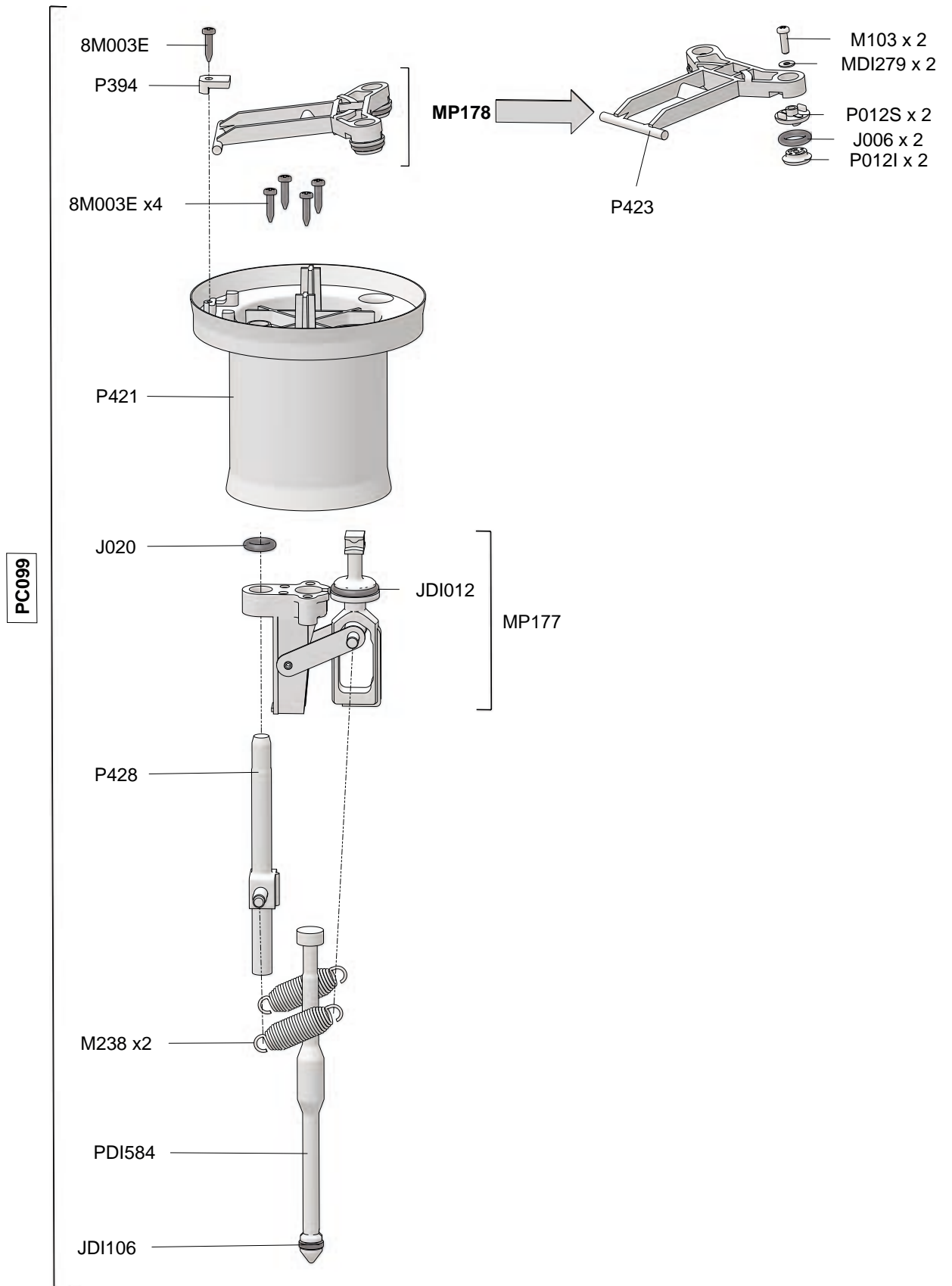
# D25 0.1 - 0.9%

2.5m<sup>3</sup>/h - 0.1 - 0.9%  
11 GPM - 1:1000 - 1:111  
0.3 - 6 bar  
4.3 - 85 psi



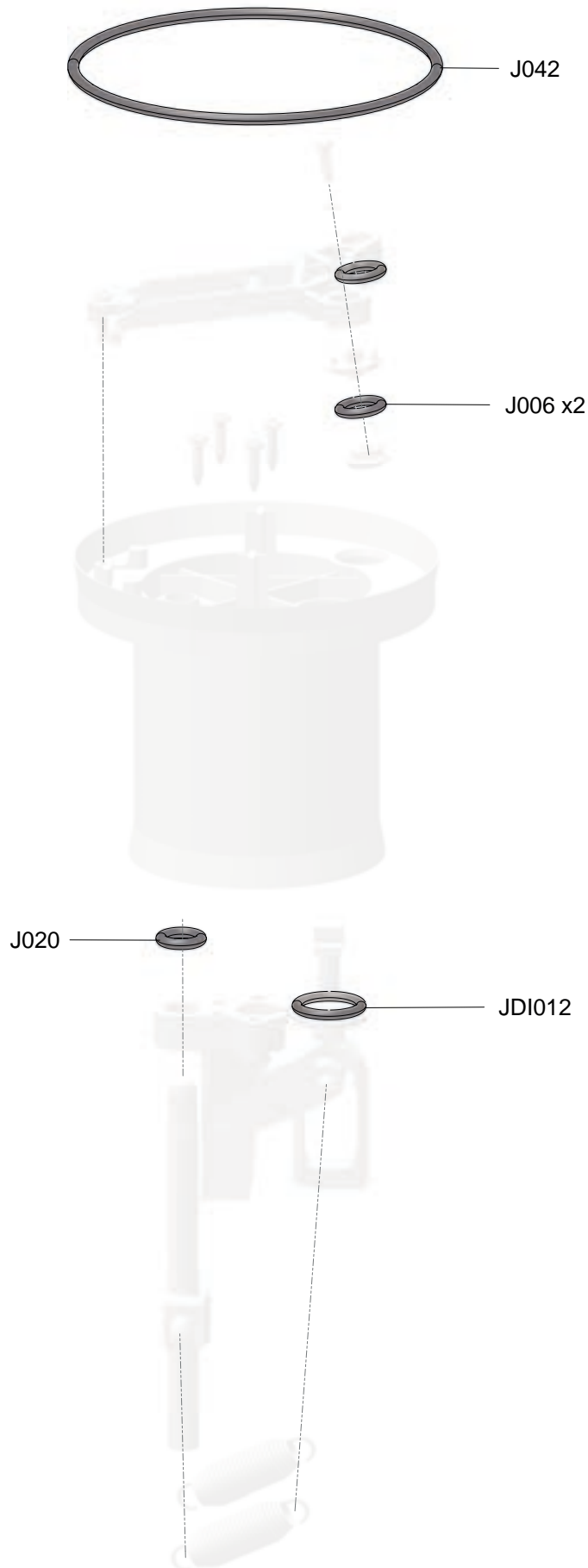
# D25 0.1 - 0.9%

2.5m<sup>3</sup>/h - 0.1 - 0.9%  
11 GPM - 1:1000 - 1:111  
0.3 - 6 bar  
4.3 - 85 psi



# D25 0.1 - 0.9%

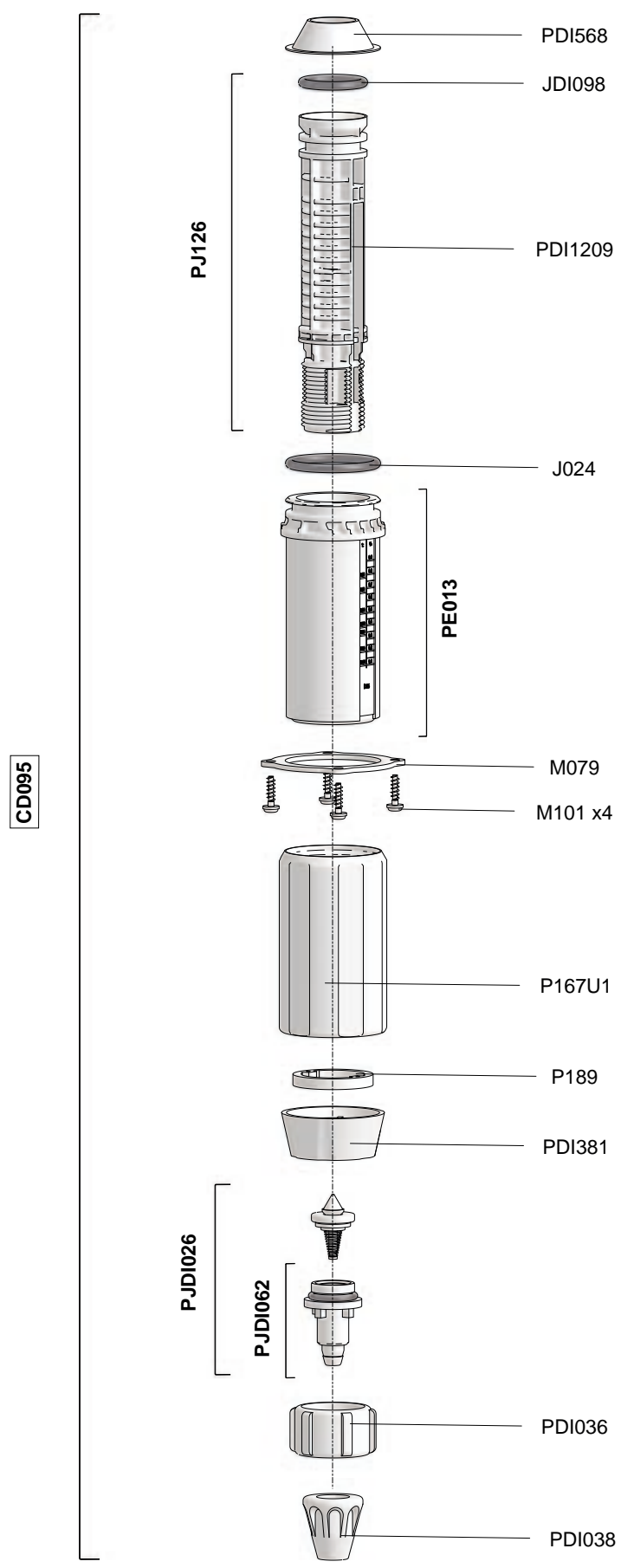
2.5m<sup>3</sup>/h - 0.1 - 0.9%  
11 GPM - 1:1000 - 1:111  
0.3 - 6 bar  
4.3 - 85 psi



**EM004**

# D25 0.1 - 0.9%

2.5m<sup>3</sup>/h - 0.1 - 0.9%  
11 GPM - 1:1000 - 1:111  
0.3 - 6 bar  
4.3 - 85 psi

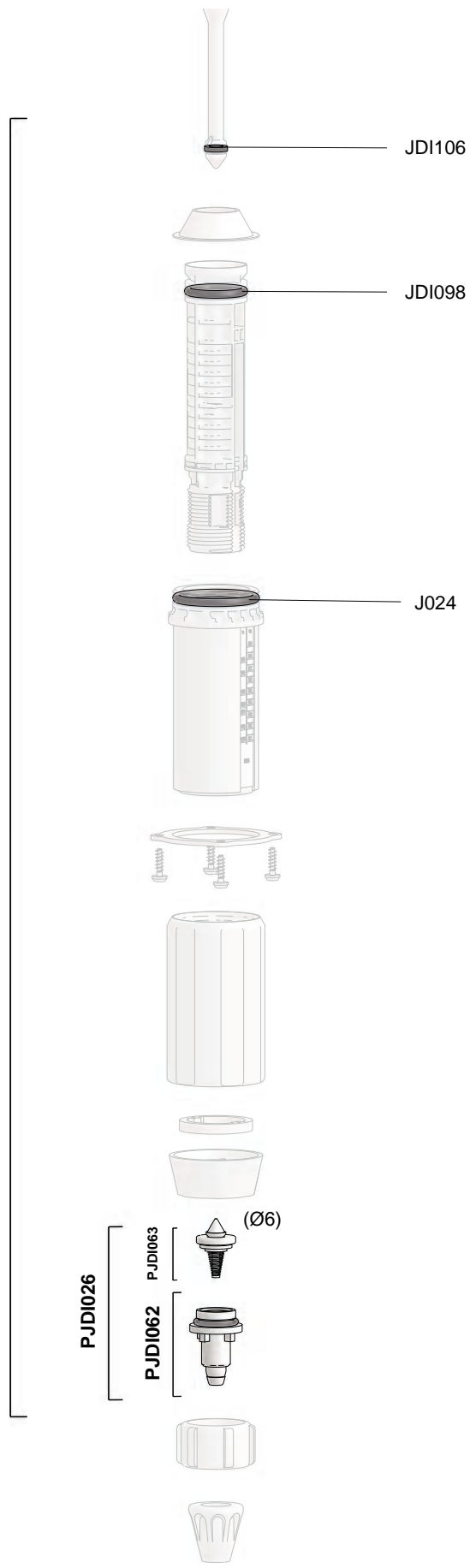


© DOSATRON INTERNATIONAL S.A.S. 2017  
D25 0.1 - 0.9%/1218/D7

# D25 0.1 - 0.9%

2.5m<sup>3</sup>/h - 0.1 - 0.9%  
11 GPM - 1:1000 - 1:111  
0.3 - 6 bar  
4.3 - 85 psi

PJ127





# D25 0.1 - 0.9%

2.5m<sup>3</sup>/h - 0.1 - 0.9%  
11 GPM - 1:1000 - 1:111  
0.3 - 6 bar  
4.3 - 85 psi

